

## SRC032系列 (SRC032 series)


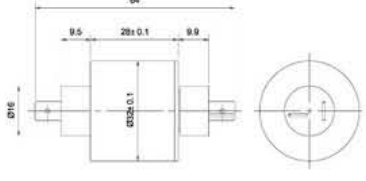

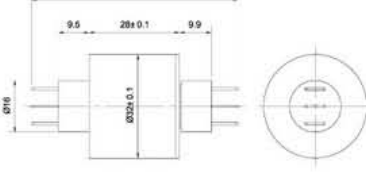

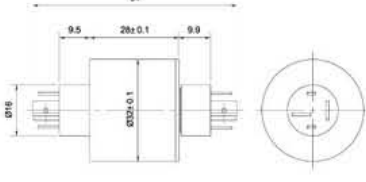
### ▶▶ 特点及应用:

导电滑环属于电接触滑动连接应用范畴, 它又称集电环、或称旋转关节、旋转电气接口、滑环、集流环、回流环、线圈、换向器、转接器, 是实现两个相对转动机构的图像、数据信号及动力传递的精密输电装置。特别适合应用于无限制的连续旋转, 同时又需要从固定位置到旋转位置传送功率或数据的场所。其由弹性材料电刷、滑动触点表面材料导电环、绝缘材料、粘结材料、组合支架、精密轴承、防尘罩及其他辅助件等组成。电刷采用贵金属合金材料, 呈"II"型与导电环环槽对称双接触, 借助电刷的弹性压力与导电环环槽滑动接触来传递信号及电流。是各种精密转台、离心机和惯导设备的关键器件。可广泛应用于安防、工厂自动化、电力、金融、仪表、化工、冶金、医疗、航空、军事、船舶、运输、建筑等机电设备上。

### ▶▶ Description

The slip ring can be used in any electro-mechanical system that requires unrestrained, continuous rotation while transmitting power and / or data from a stationary to a rotating structure. The slip ring is also called a rotary electrical interface, commutator, collector, swivel or an electrical rotary joint. The brush uses noble metal alloy material, making the ring into a 90°V-slot. It adopts multilayer noble metal alloy for plating dispose. Color-coded lead wires are used on both the stator and rotor side for simplified electrical connections.

- ◆ CCTV pan/tilt cameras and pedestals
- ◆ Robots and downhole inspection equipment
- ◆ Test and measuring equipment
- ◆ Manufacturing and process control equipment
- ◆ Computer peripherals
- ◆ Display equipment Medical equipment

型号 Type	外形尺寸 (Outline dimension)	单位 (Unit) mm
 SRC032-2		
 SRC032-3		
 SRC032-4		

### ▶▶ 规格表 Specification List

型号 Model	环数 #Rings	电流 Current		外径x长度 DIA"xLG"	接头规格 Terminal power
		2	15		
SRC032-2	2	—	2	Φ32X28	0.8X6.3
SRC032-3	3	—	3	Φ32X28	0.8X6.3
SRC032-4	4	2	2	Φ32X28	0.8X6.3 0.8X2.8

### ▶▶ 电气技术指标 Electrical data

参数 Specification	单位 Unit
电压 Voltage	240VDC—240VAC
绝缘体强度 High pot	500VAC@60Hz, 60s
绝缘电阻 Insulation Resistance	1000MΩ/500VDC
动态接触电阻变化值 Dynamic contact Resistance	< 0.01Ω

### ▶▶ 机械技术指标 Mechanical data

参数 Specification	单位 Unit
工作速度 Operate Speed	400rpm
温度范围 Temperature range	-20℃—+80℃
接触材料表面 Contact material surface	precious metal
壳体材料、结构 Housing	ABS